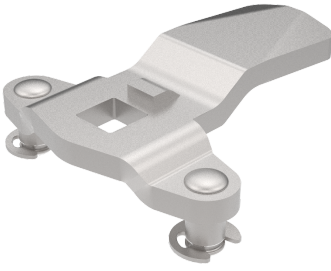


SISTEMA VISION - LINGUETAS TRÊS PONTOS EM AÇO ZINCADO



Lingueta de três pontos sem ressalto para cremona. Projeção do varão de 20mm. Fornecida com anel trava. No desenho e na tabela A = Medida interna a partir da chapa até o ponto de trancamento no quadro.

MATERIAL

Cam : Hardened steel

RELATED PRODUCTS

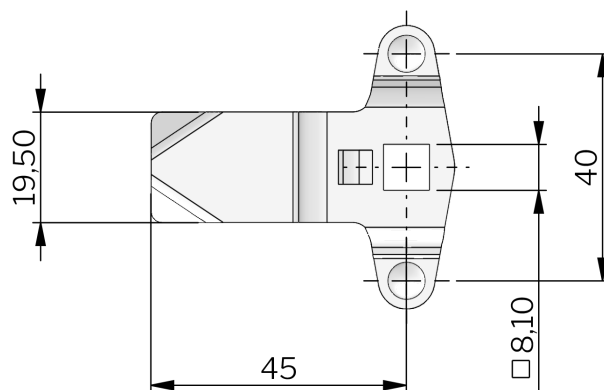
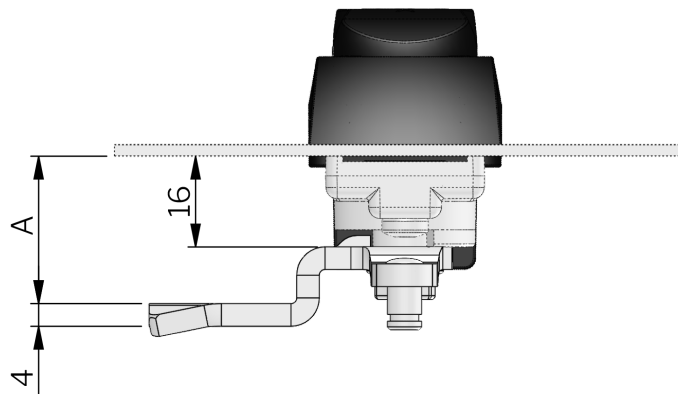
Similar products: 1-008.51

Other materials: 1-008.51

Use the Index Code at industrilas.com

TESTS & STANDARDS

Please note that all cams with dimension A is less than 16 mm can only be used in combination with swing handles (see product ID 1-010 and 1-020).



P/N	Descrição	Material	A
2321S01P	3-point cam	Aço	2
2321S02P	3-point cam	Aço	4
2321S03P	3-point cam	Aço	6
2321S04P	3-point cam	Aço	8
2321S05P	3-point cam	Aço	10
2321S07P	3-point cam	Aço	12
2321S08P	3-point cam	Aço	14
2321S09P	3-point cam *	Aço	16
2321S10P	3-point cam	Aço	18
2321S11P	3-point cam	Aço	20
2321S12P	3-point cam	Aço	22
2321S14P	3-point cam	Aço	24
2321S15P	3-point cam	Aço	26
2321S16P	3-point cam	Aço	28
2321S17P	3-point cam	Aço	30
2321S18P	3-point cam	Aço	32
2321S20P	3-point cam	Aço	34
2321S21P	3-point cam	Aço	36
2321S22P	3-point cam	Aço	38
2321S23P	3-point cam	Aço	40
2321S24P	3-point cam	Aço	42
2321S27P	3-point cam	Aço	48
2321S28P	3-point cam	Aço	46
2321S29P	3-point cam	Aço	44

* P/N 2321S09P is with straight cam.